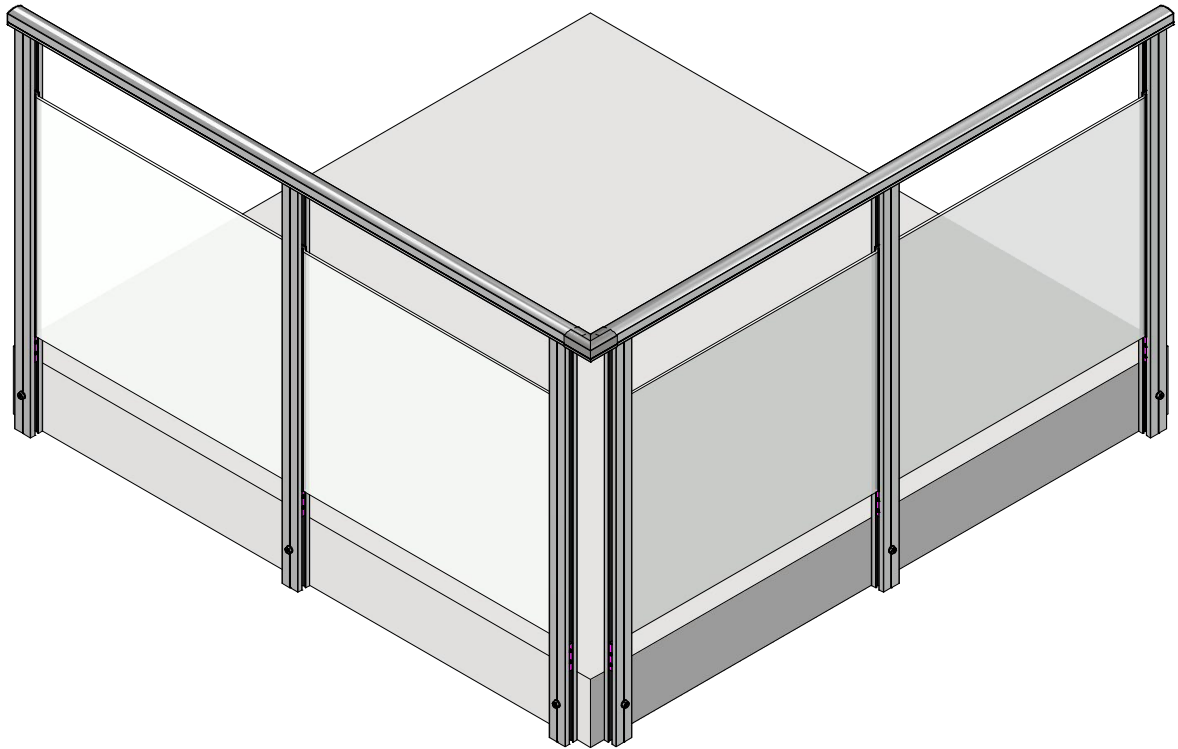
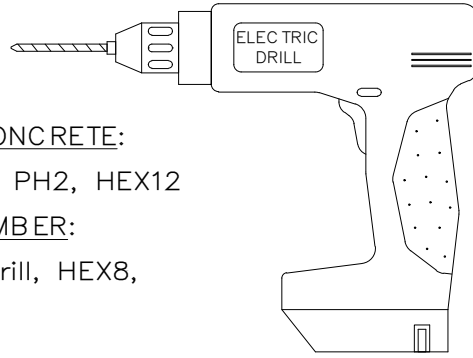


BALCONY RAILING  
BERGEN  
SIDE  
MOUNTED  
INSTALLATION MANUAL



# NECESSARY AND ADDITIONAL HELPFUL ITEMS FOR INSTALLATION:



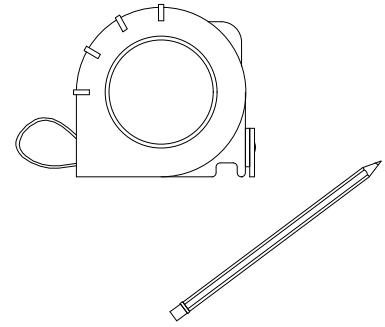
Drillbits for CONCRETE:

SDS plus M12, PH2, HEX12

Drillbits for TIMBER:

ø6mm wood drill, HEX8,

TX40, PH2

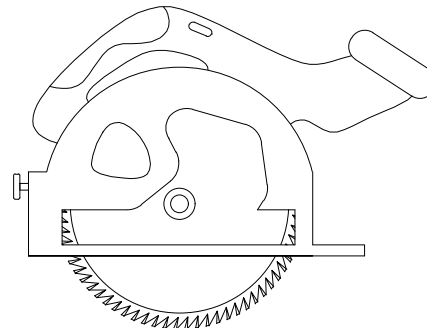


Measuring tape & pencil

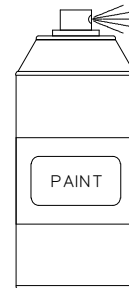
Electric drill for TIMBER  
Hammer drill for CONCRETE



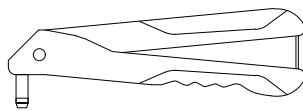
Soapy water spray  
(Optional)



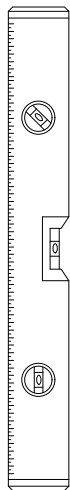
Angular saw  
cold cut



Repair paint  
(Optional)



Riveting pliers



Level

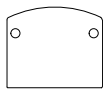


## CAUTION

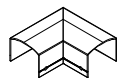
**READ THE WHOLE INSTALLATION MANUAL BEFORE STARTING.**

- It is easy to scratch and/or break glass panels, handle with care, use cut resistant gloves.
- Railings are powder coated, paint can be damaged if profiles are left on uneven surfaces and not handled properly.
- Balcony railing installations have to follow the requirements set by a country's legislation. Innore takes no responsibility of damage and casualties that have occurred due to non-compliant installation.
- Do not install during windy weather conditions. Glass railings are heavy in weight and bear a lot of wind due to a large surface area.
- Safety is number one priority when dealing with heights, always use personal protective equipment.

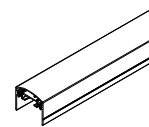
# LIST OF DIFFERENT COMPONENTS:



Handrail 51x43 endplate



Handrail 51x43 corner



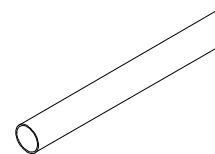
Handrail 51x43



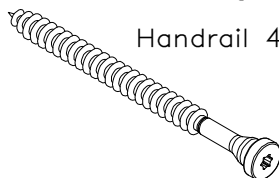
Handrail 42,4x2 endcap



Handrail 42,4x2 corner



Handrail CHS 42,4x2



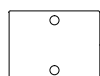
HBS EVO screw w. M12 A4 washer, connecting column to balcony



Self-drill screw, fastening column endplate under the column



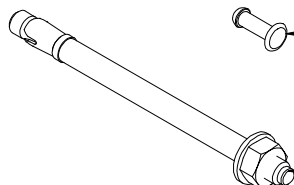
Self-drill screw for handrail fastening



Without handrail endplate, on top of column



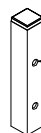
Rivet, fastening 51x43 endplates and Holmenkollen endplates on top of column



Expansion anchor HSA-R w. washer and nut



Self-drill screw for fastening 15x15 inside column



15x15 Inlay with plastic cap inside S1 and S3 column, support for glass



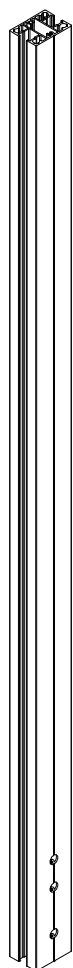
4x12x19mm EPDM gasket inside S2 and S4 column, under glass



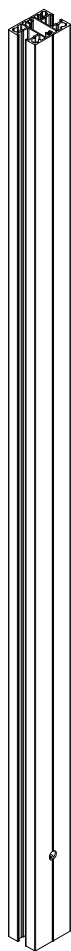
4x8x19mm EPDM gasket between glasses, in case of 2 glasses



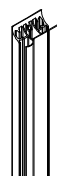
Aluminium endplate under column



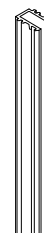
Column for timber



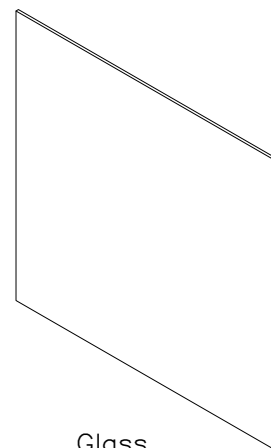
Column for concrete



Milled end of railing for 42,4x2 handrail



Glass seal, TPV

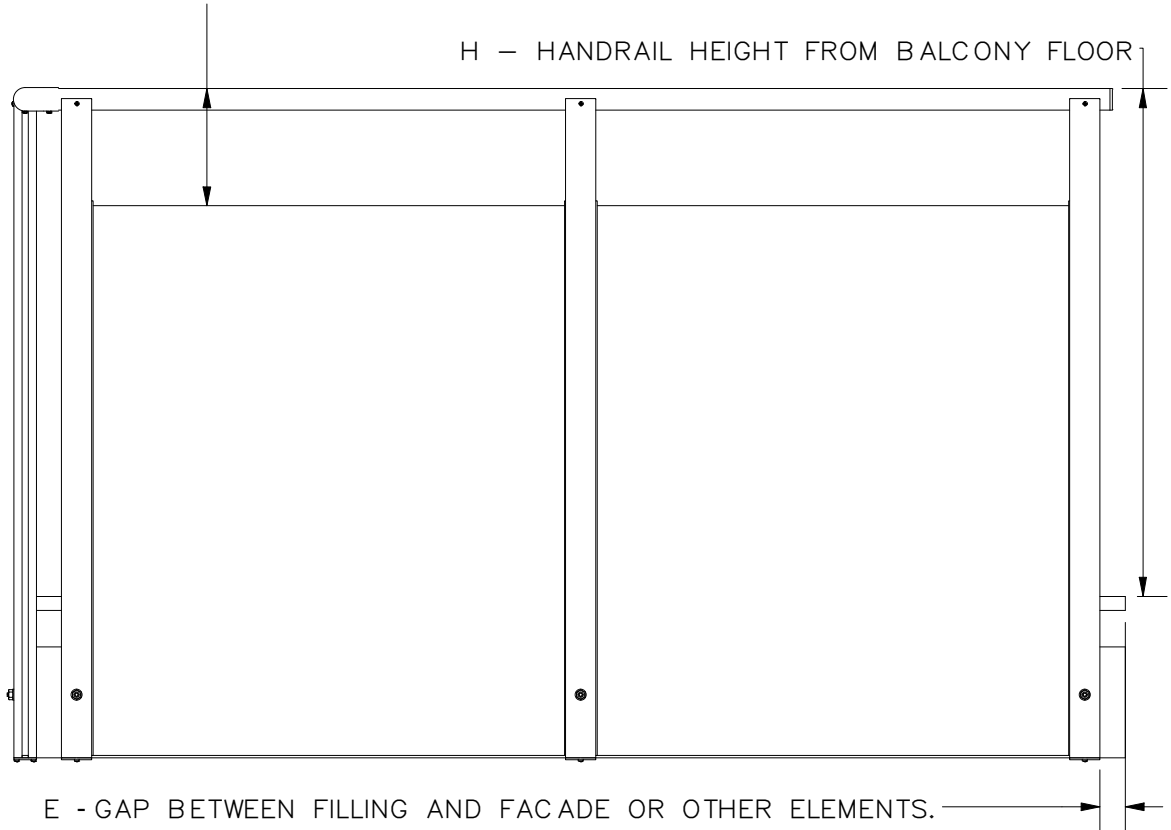


Glass

# OVERALL REGULATIONS

G – FROM TOP OF HANDRAIL TO THE EDGE OF GLASS

H – HANDRAIL HEIGHT FROM BALCONY FLOOR



E - GAP BETWEEN FILLING AND FACADE OR OTHER ELEMENTS.

	Norway	Finland	Estonia	Sweden	Denmark	Germany
G (mm)	MAX 250	<200	<200	<110 AND >230	MAX 250	MAX 250
E (mm)	MAX 100	MAX 50	MAX 50	MAX 50	MAX 100	MAX 100
H (M)	1 or 1.2	1 or 1.2	1 or 1.2	1.1	1 or 1.2	1 or 1.2

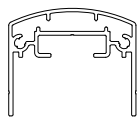
# HANDRAIL AND GLASS LENGTH OPTIONS FOR BOTH BASE STRUCTURES – CONCRETE & TIMBER

## GLASS CHOICE

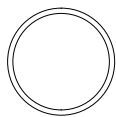
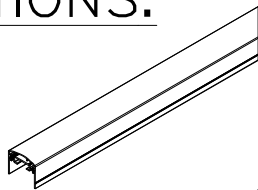


HANDRAIL CHOICE IS DEPENDANT ON GLASS CHOICE.

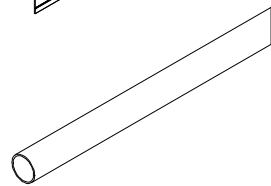
### S1 OPTIONS:



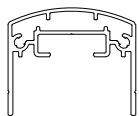
Handrail 51X43



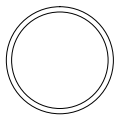
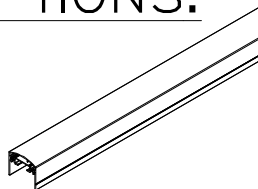
CHS 42,4X2



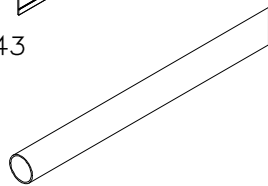
### S2 OPTIONS:



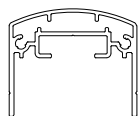
Handrail 51X43



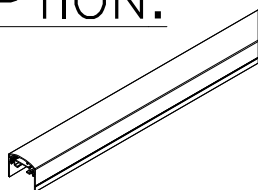
CHS 42,4X2



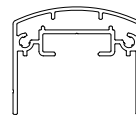
### S3 OPTION:



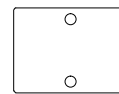
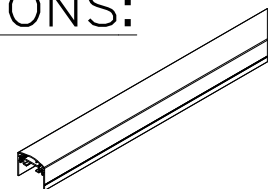
Handrail 51X43



### S4 OPTIONS:

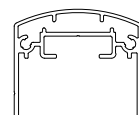


Handrail 51X43

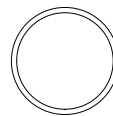
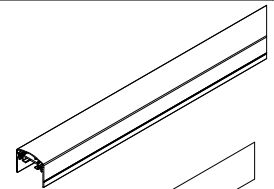


Without handrail (HOLMENKOLLEN)

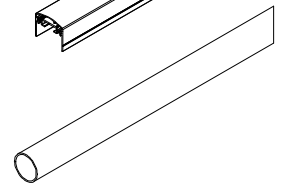
### S2 WITH EXTRA GLASS:



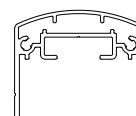
Handrail 51X43



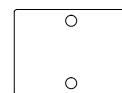
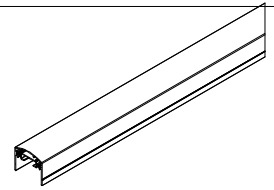
CHS 42,4X2



### S4 WITH EXTRA GLASS:



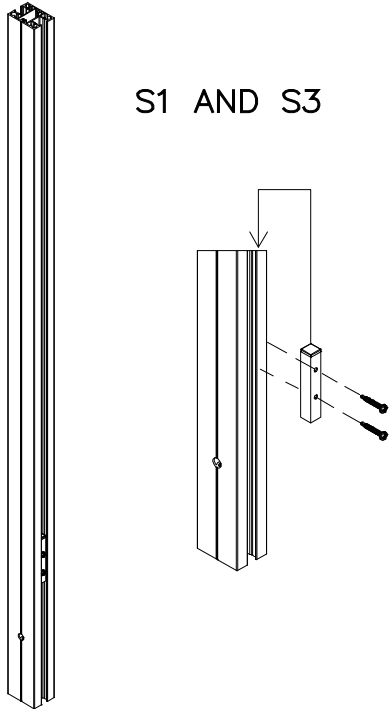
Handrail 51X43



Without handrail (HOLMENKOLLEN)

# EXTRA INSTALLATION STEPS ARE NEEDED FOR PARTS ORDERED SEPARATELY

## S1 AND S3



If the column has been ordered through the system configurator, the inlay position is pre-set at the correct height and no adjustment is required.

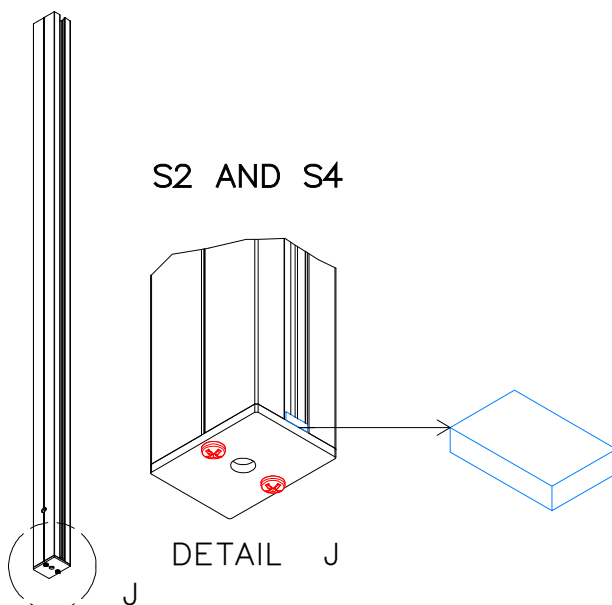
However, if the column has been purchased separately (e.g. without full system configuration), the inlay must be positioned inside the column according to the regulations specified for your country (see relevant section of this manual). The inlay height depends on the glass height. Remove the TPV seal to slide in the inlay, after that put it back. It is fastened with self-drilling screws and includes a plastic cap for the glass to rest on.

Glass seal, TPV

Cut the seal to glass length + 5mm. For 2 glass panels, add the thickness of one EPDM gasket.



## S2 AND S4



If the selected option has glass extending to the bottom of the column, no inlay is required. In this case, the bottom of the column appears as shown. The endplate is secured with self-drilling screws, and a 4x12x19mm EPDM gasket is placed on top of the endplate to provide support for the glass.

# STEP 1. CALCULATE DESIRED COLUMN

SPACING (c/c).  $c/c = \frac{C||C}{\text{DESIRED SPACING NUMBER}}$

Note the glass lengths you have.

c/c measure must be 29mm±2mm longer than glass length.

MAX. RECOMMENDED c/c IS 1100mm.

Consult with a structural engineer when railing is placed in a windy region or fastening conditions are complicated.

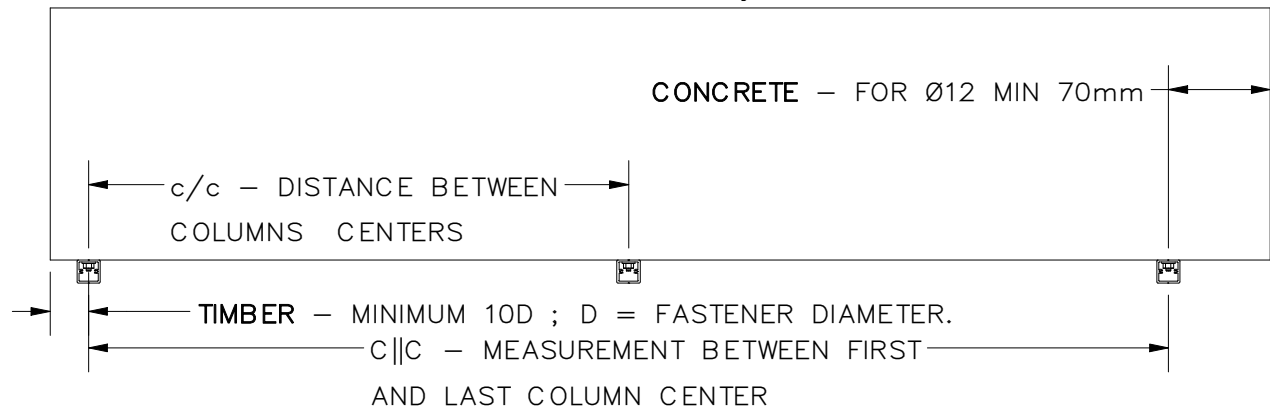
# STEP 2. MARK THE DRILL HOLES TO BALCONY

**Important:** ensure all fixing holes follow the handrail height.

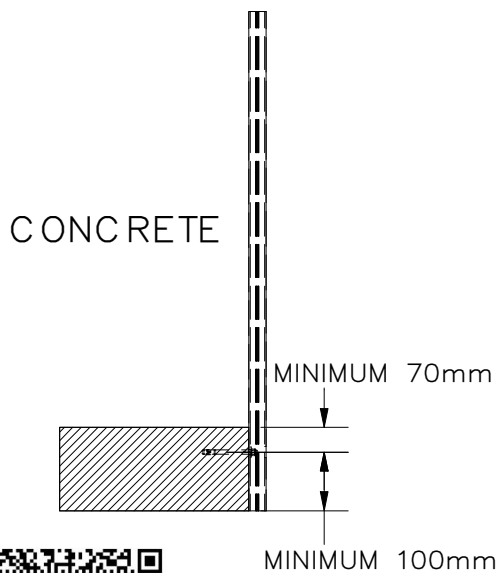
If the base surface is not even, the railing will not be straight.

Typically, the lowest point is measured first,

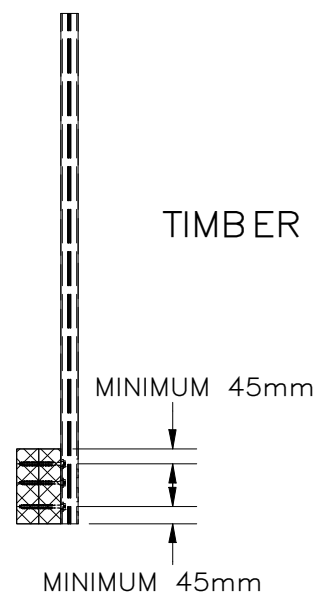
and the same level is then marked across balcony with a laser.



Start from one side by marking edge column location. Center column locations are marked by c/c measurement. Check C||C measurement when all column locations are marked.



Hilti HSA-R wedge anchor datasheets and information



Rothoblaas HBS plate evo screw datasheets and information



PRODUCT:  
BERGEN SIDE  
DATE:

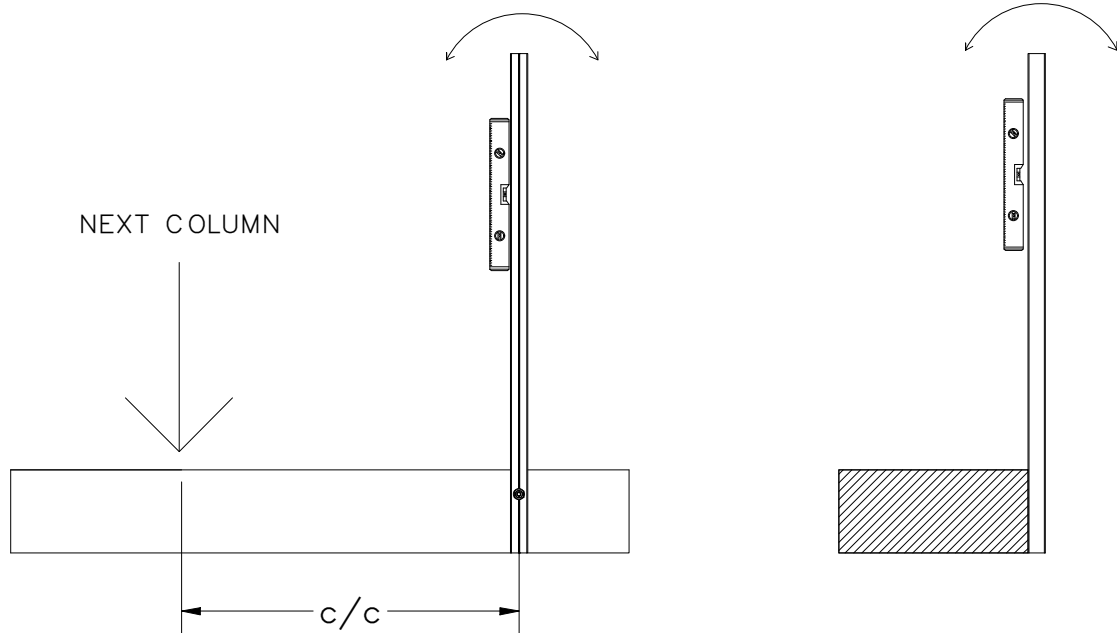
SHEET NAME:  
MEASUREMENTS - SIDE MOUNTED  
PAGE:  
7

VERSION:

FORMAT:  
A4

# STEP 3. DRILL THE HOLES AND FASTEN THE COLUMNS

PAY ATTENTION TO COLUMN ORIENTATION. LEVEL THE COLUMN.  
AFTER EACH COLUMN CHECK THE DISTANCE BETWEEN COLUMNS.



## SIDE MOUNTED TIMBER

1. Predrill  $\varnothing 6$  holes.
2. Before fastening the correct screws tip them into roof sealant.
3. Fix column to balcony with correct fasteners according to project.
4. Before final tightening, level the columns.
5. Check that the column is securely fixed.
6. Proceed with the installation of the remaining columns.

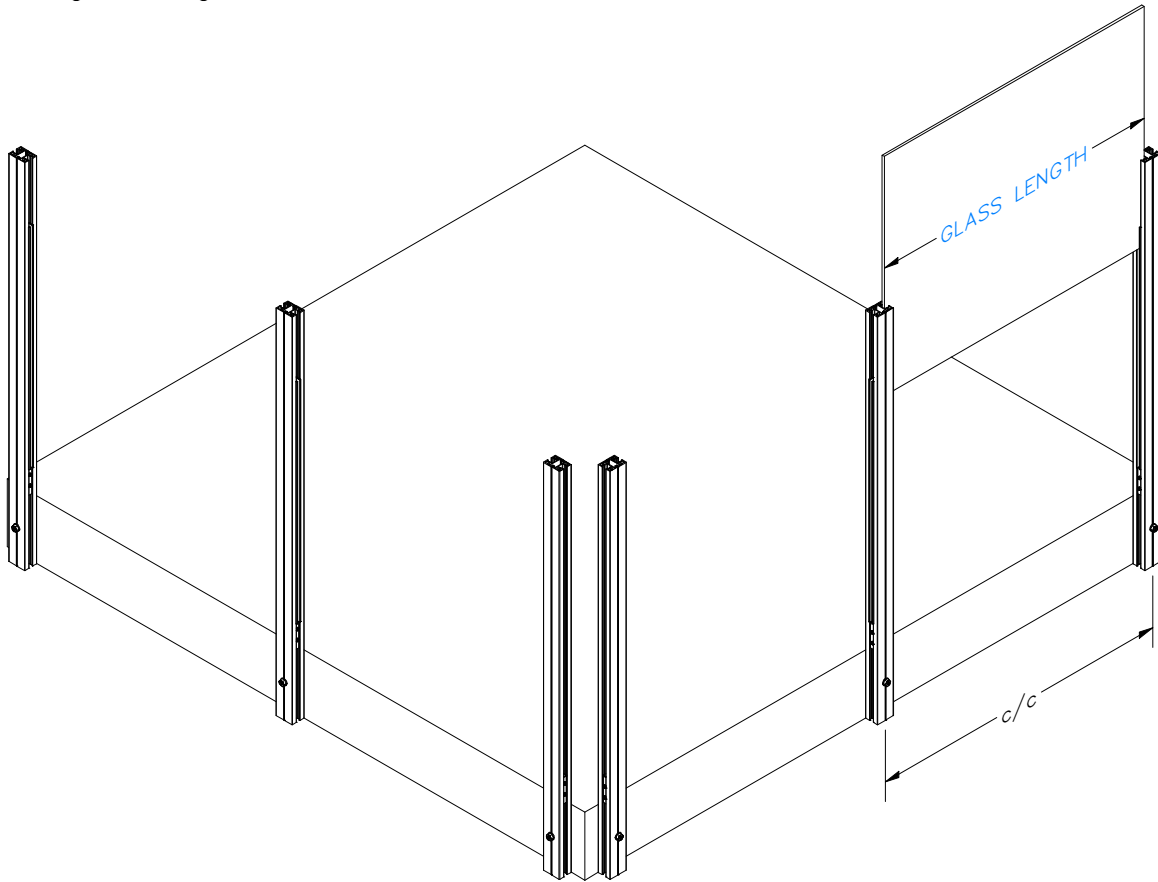
## SIDE MOUNTED CONCRETE

1. Mark the drill bit with a marker to set the correct drilling depth.  
Min. 85 mm depth for expansion anchor.
2. Drill the holes.
3. Clean the holes with a vacuum cleaner.
4. Hammer the anchors into the drilled holes.
5. Place the column onto the anchors.
6. Make sure the column is correctly positioned, use level.
7. Tighten the nuts by hand first, then use a wrench. This will expand the bottom part of the anchor.
8. Check that the column is securely fixed.
9. Proceed with the installation of the remaining columns.

## STEP 4. INSTALL GLASS BETWEEN COLUMNS

CHECK GLASS MEASUREMENTS, REMEASURE COLUMN SPACING TO MAKE SURE THAT GLASS FITS BETWEEN COLUMNS.

c/c, from the centre of column, measure must be 29mm  $\pm$  2mm longer than glass length



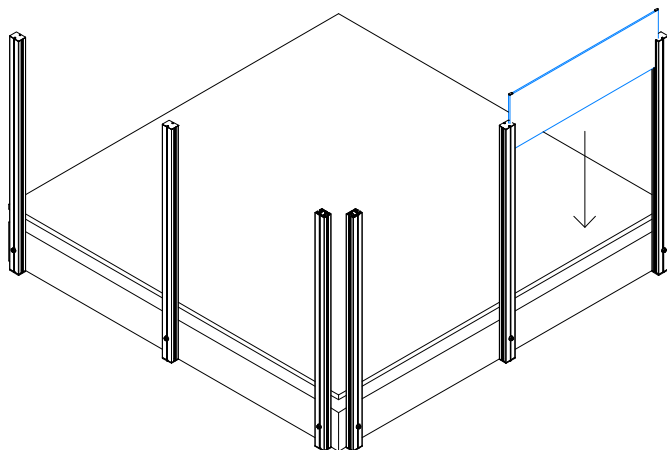
## GLASS PANEL INSTALLATION GUIDE

**NB! USE GLOVES WHILE HANDLING THE GLASSES. USE OF THE SUCTION CUPS ARE RECOMMENDED FOR LIFTING THE GLASSES.**

1. Use soapy water for sliding glasses into place. Spraying the seals is the easiest and preferred method.
2. Gently lower the panel to its designated slot. While doing that, make sure that the seal does not wrinkle. Also make sure that the glass is lowered simultaneously from each side so it does not go diagonally between the posts, which prevents sliding. It is **recommended to have an assistant** for this step. Glass panels tend to be heavy and react to stronger wind gusts. Having a helping hand will make this safer and easier for you and the glass panels.
3. There are aluminium inlays with plastic caps inside the column for glass panels to rest on. Check again that the glass seal is neatly lodged in its place, lower the glass until it reaches the top of the inlay cap and move on with the next glass panel.
4. Wipe the excess soapy water with cloth if necessary.

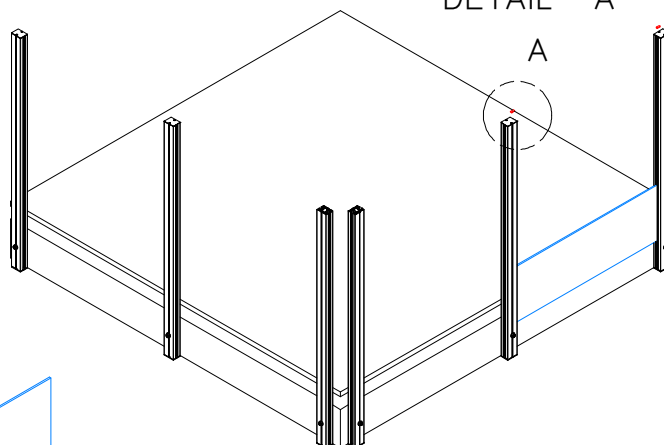
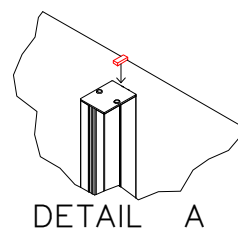
# STEP 4. INSTALL GLASS BETWEEN COLUMNS

IN CASE OF 2 GLASS OPTION:

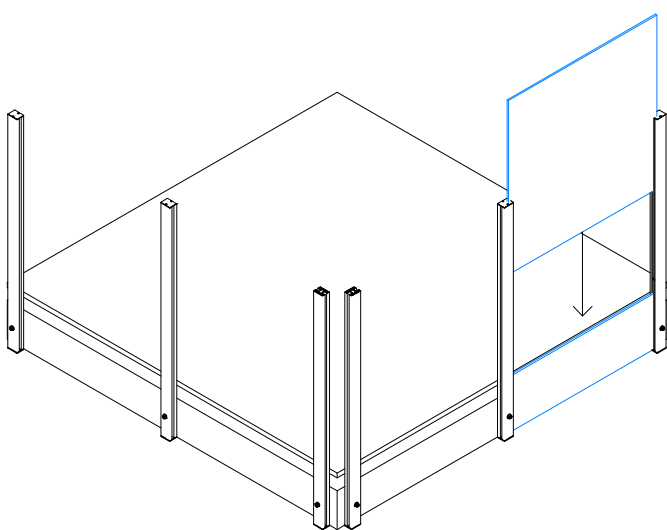


Doing it step by step similarly to option with only 1 glass, lower the smaller glass to its designated spot.

Install block 4x8x19 to the grooves so they rest on top of smaller glass and under the second glass.



Install the second glass to the top of 4x8x19 block/first glass.



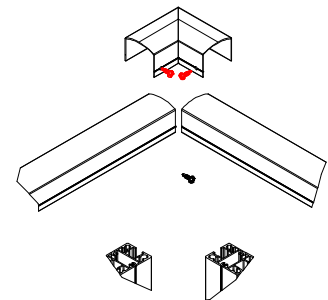
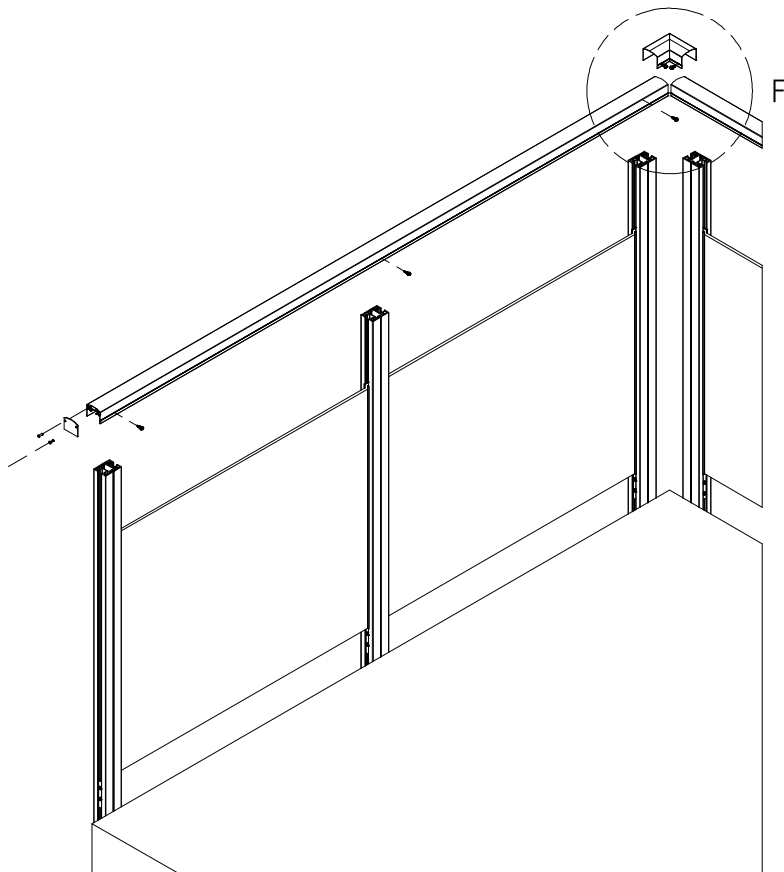
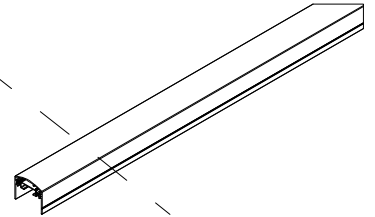
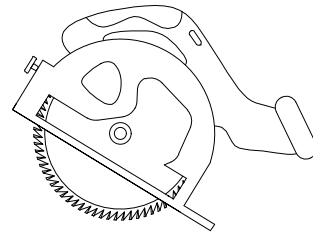
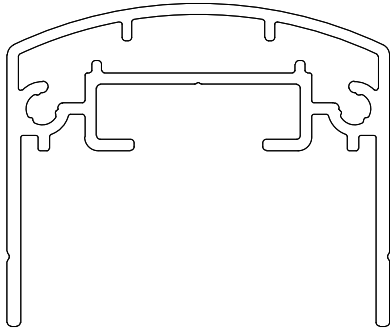
## STEP 5. CUT AND FIX THE HANDRAIL

Cut the handrail to desired length.

Fasten handrail to columns using self-drilling screws.

Optional endplates are installed with rivets.

### HANDRAIL 51X43



DETAIL F

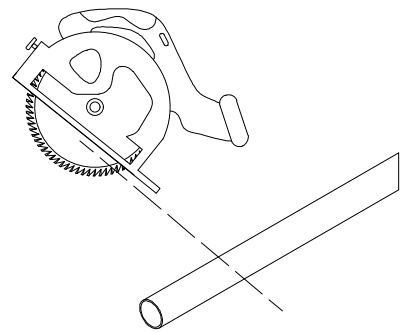
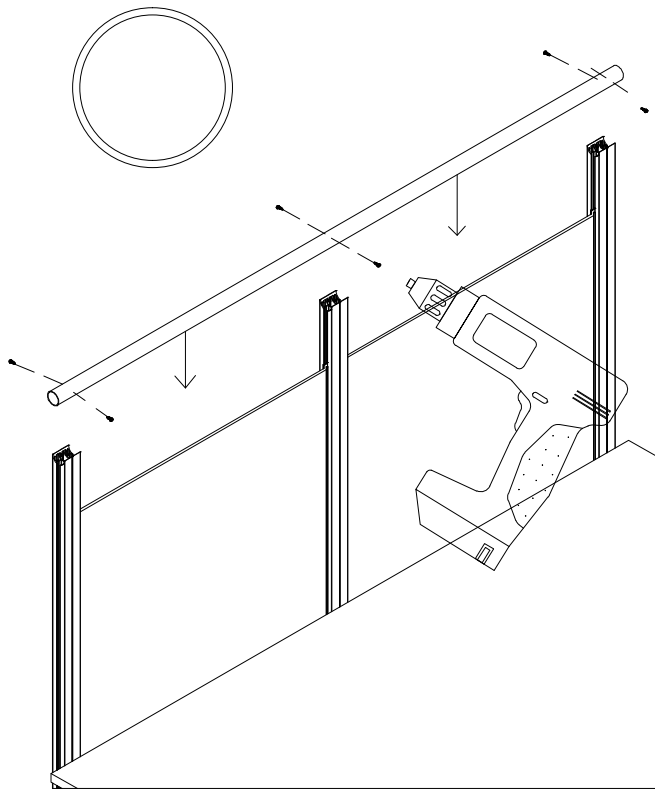
The corner piece is fastened to the handrail with self drilling screws. In case the corner piece overlaps a column, secure both the corner and the handrail to the post by the same screw.

# STEP 5. CUT AND FIX THE HANDRAIL

Cut the handrail to desired length.

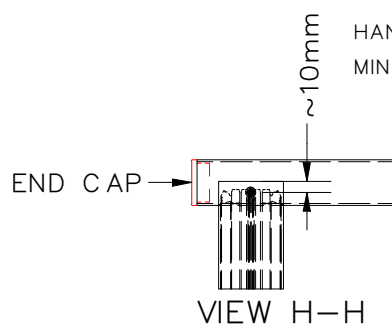
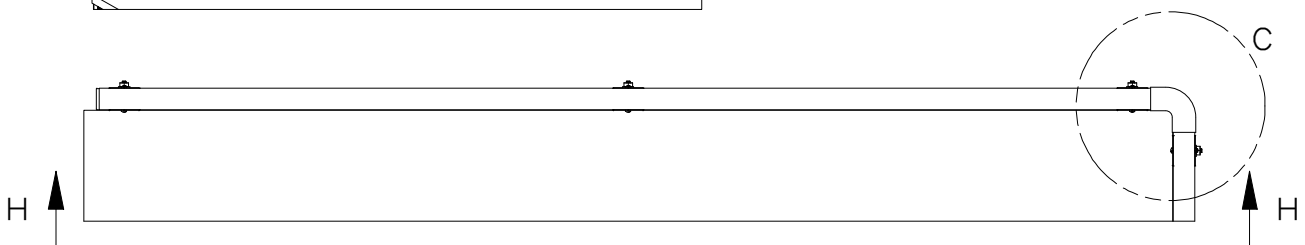
Fasten handrail to columns using self-drilling screws.

## CHS 42,4X2



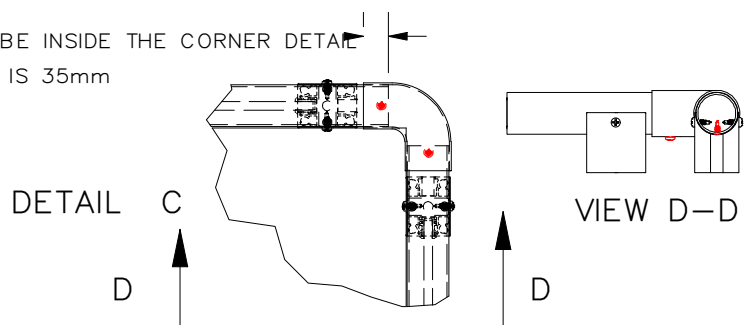
Note that CHS handrail is fastened with self-drilling screws from both sides.

Ensure that the handrail extends at least flush with the column edge so that the fixing screw does not interfere with the end cap.



Handrail has to be at least flush with the column so self drilling screw does not interfere with endcap.

HANDRAIL MUST BE INSIDE THE CORNER DETAIL  
MIN 20mm; MAX IS 35mm



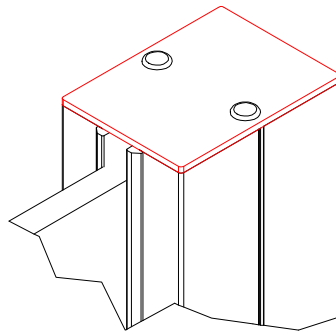
### ROUND HANDRAIL CORNER.

The red-marked screws are used to fasten the corner detail to the handrail. Leave enough room between the handrail end and the column to allow access for the screw underneath or from side.

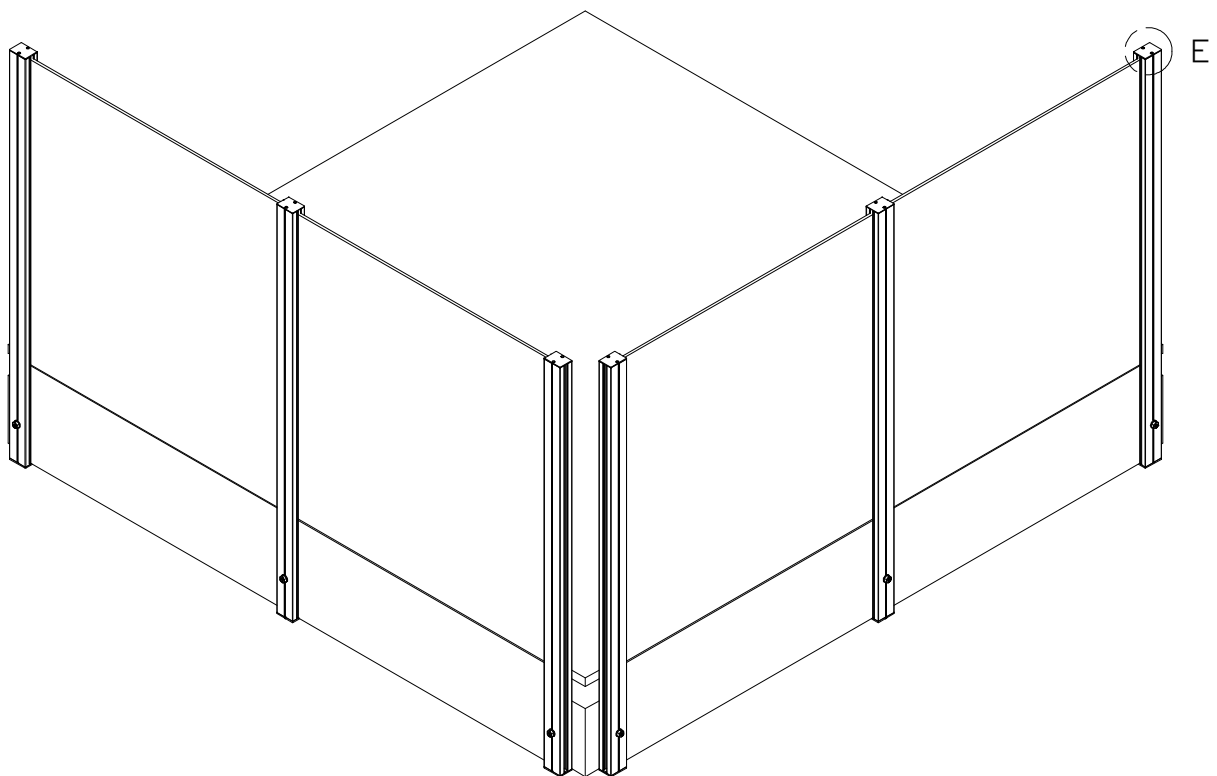
# STEP 5. WITHOUT HANDRAIL

## HOLMENKOLLEN

This option does not have a handrail, instead it has 2x45x60mm endplates fastened with rivets to the top of the columns.



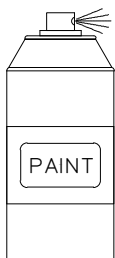
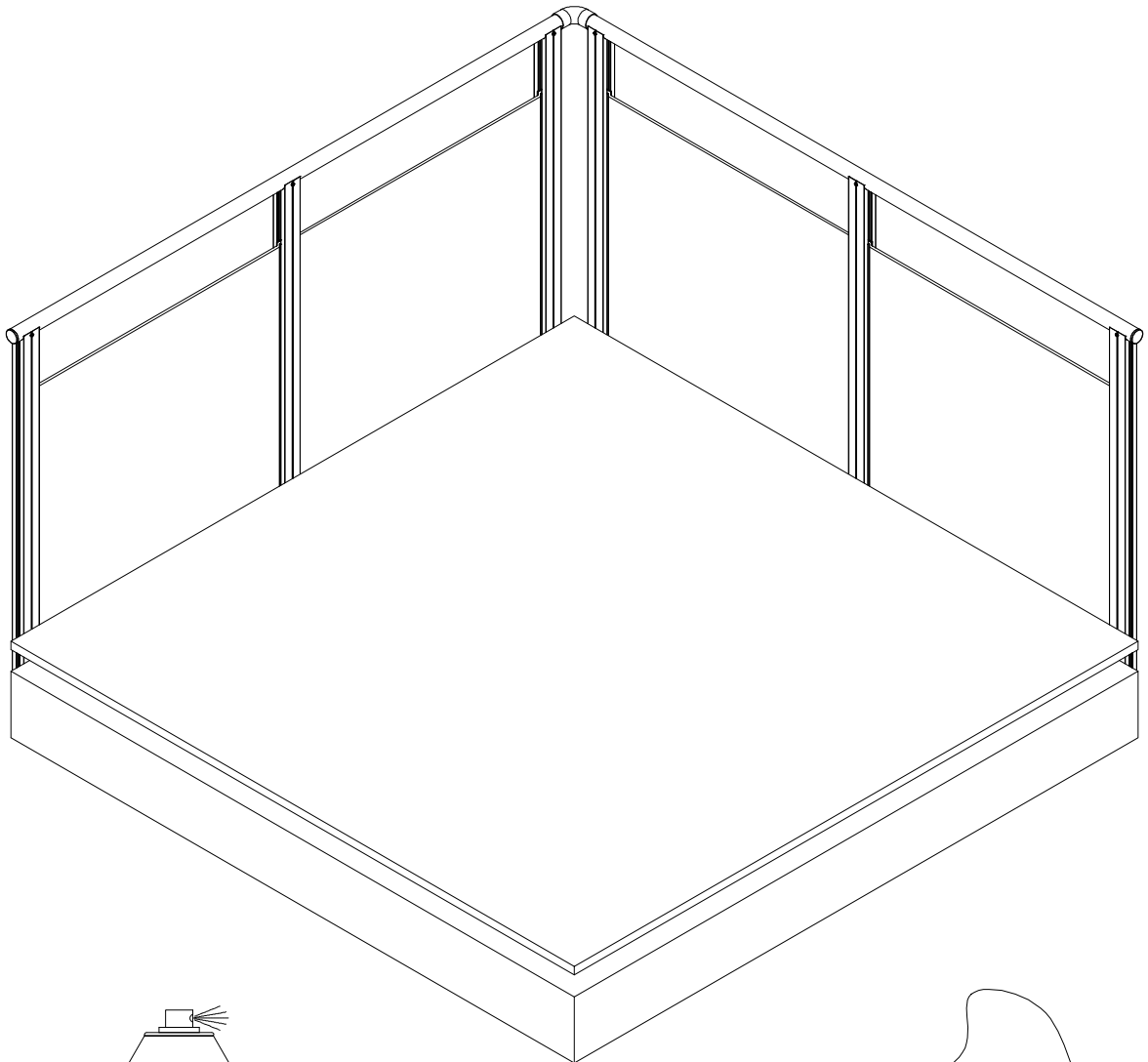
DETAIL E



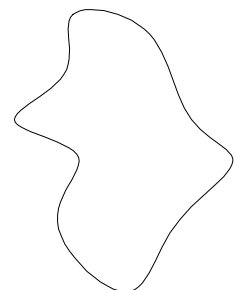
# STEP 6. FINISH THE BALCONY ASSEMBLY

Clean railing with microfiber cloth.

If any damage has occurred during installation to painted parts, repair paint with correct ral code can be used!



RE-PAINT IF NEEDED



CLEAN THE ASSEMBLY

**Enjoy your new Innore railing and stay safe!**  
Designed for safety, built to last.

Thank you for choosing Innore railing systems – Your Innore railing is designed and manufactured in Estonia with a focus on safety, durability, and timeless design.

**Keep your railing in perfect condition:**

- Clean regularly with mild detergent and water.
- Check fasteners and joints periodically.
- Avoid harsh chemicals or abrasive cleaners.
- Follow detailed steps in the Maintenance Guide.

For detailed information, see:

Maintenance Guide:

If you have any questions or need assistance, don't hesitate to contact us:

Email: [info@innore.ee](mailto:info@innore.ee)

Website: [www.innore.eu](http://www.innore.eu)

We're here to help you keep your railing safe, beautiful, and long-lasting.  
Stay safe – and enjoy your view!

